

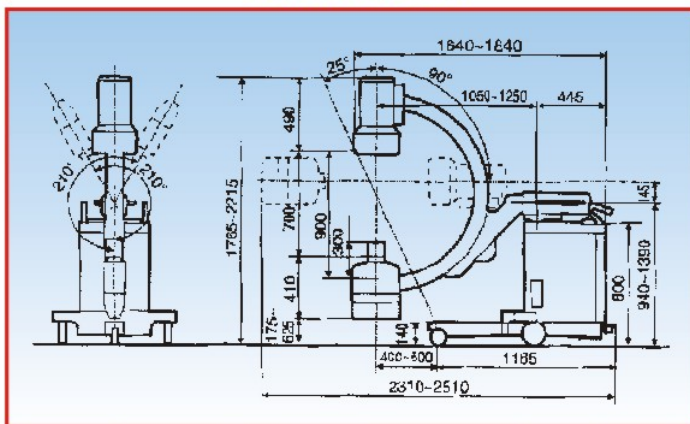
GENIUS

Commitment for high quality performance

GENIUS Mobile C-Arm



DIMENSIONS



LUMBAR SPINE

ANKLE JOINT



WRIST

ELBOW A. P.



Technical Specification

Generator Rating

Control : Microprocessor Based with Tactile Membrane Switches

Radiography Mode

KVp Output : 45 to 100 KVp (5KVp Step)
mA Output : 20mA Fixed
mAS Range : 4 to 120 mAS

Fluoroscopy Mode

KVp Output : 30 to 100 KVp (Motorised 1 KVp Step)
mA Output : 0.1-3.5 mA (Motorised stepless)
Fluoro Timer : 0 to 5 min cumulative timer with buzzer
Safety Precaution : Temperature Sensor to cut off exposure after over heating of x-ray tube head.

X-Ray Tube

Focal Spot : 0.6/1.8mm

Image Intensifier

6" Single/Duel field, high gain, low dose image intensifier tube. (Optional : 9" Triple field)

T. V. Camera

High sensitivity, low noise Sony CCD camera.

Monitor

Two 15" imported Monitors with high density & low noise. (17" monitors with 9" I. I. Tube)

Memory

PC compatible 32 frames memory with full function remote control.
Real time zoom with vertical and horizontal panning.

Power requirement

Single Phase : 220 VAC 10% 50 Hz
Standard 15 Amp plug socket

C-Arm Stand

'C', Orbital Movement : 115° (90° + 25°)
C-Arm Rotation : 180° each side
Motorized Vertical Movement : 450 mm
Forward Movement : 200 mm
Right to Left Wigwag Movement : +/- 12.5°
Indexing For C-Arm Rotation to get exact AP/LAT Views (90° + 90° + 90° + 90°)

Contact our Marketing team for latest information :

GENIUS MEDICAL SYSTEM

Opp. Dhore Farm, Fursungi Road, Hadapsar, Pune - 411 028,
Tel.: 020 - 2699 4219 Cell. : 98224 52987 / 9326183558

GENIUS

Commitment for high quality performance ...